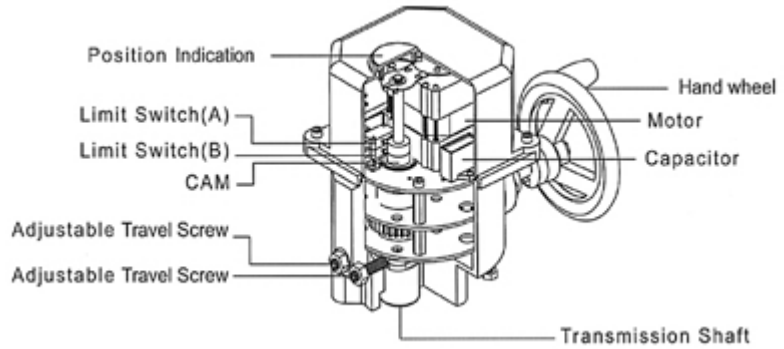


UM-4 Direct Mount Series



Actuator only
Weight: 9.5 kgs

Power	Specification			Speed (sec.)		Output Torque kgf/cm		
	110VAC	220VAC	24VDC	AC	DC	110VAC	220VAC	24VDC
25W	0.8A	0.6A	-	20	-	2500	2500	-
				30		3118	3320	
30W	-	-	0.3A	-	20	-	-	2500
				-	30			3500

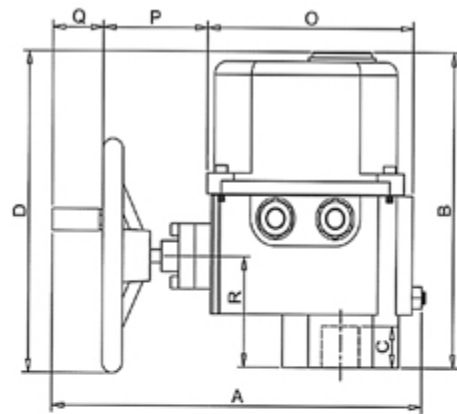
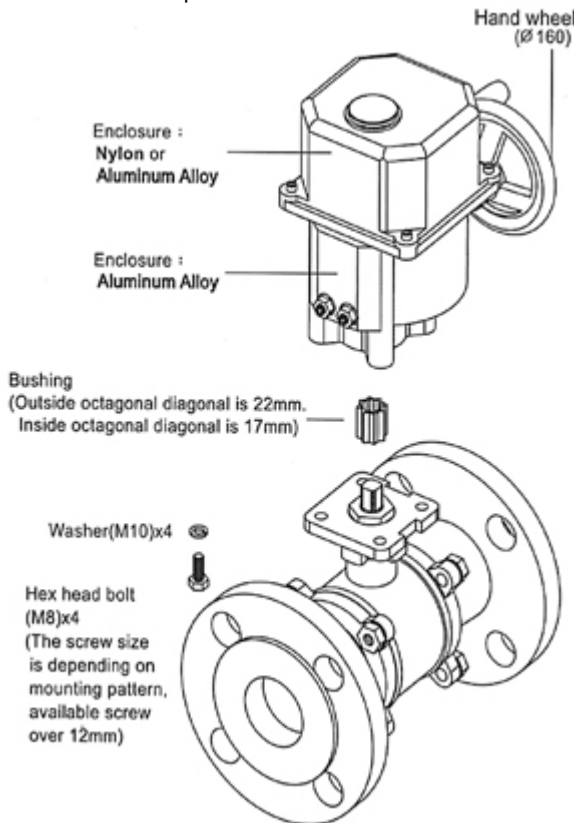
The Size of Valve				
Speed	Screwed Ends	Flanged Ends	Butterfly Valve	3-Way Valve
20 Sec	2" ~ 3"	1.1/4" ~ 3"	4" ~ 5"	2.1/2"
30 Sec	4"	4"	5" ~ 8"	2.1/2" ~ 3"

Dimension

mm

Series	A	B	C	D	E	F	G	H	I	J	K	L	M	N	O	P	Q	R	S	T	ISO5211
UM-4	310	244	30	249	203	30.6	70	102	M8	4	M10	4	22	45°	173	87	42	85	180	165	F07 / F10

* Action interval: 5 minutes per travel.



*The UM-4/24VDC is over standard height 26mm.

