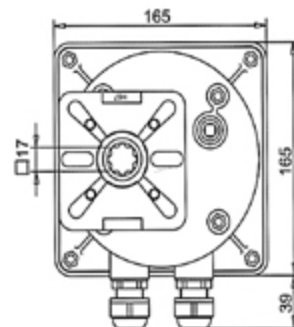
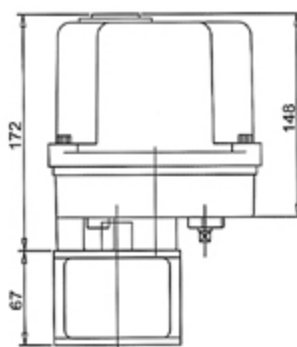


**UM-3 Series with Mounting Kits**



ISO 5211 F07/F10

Power	Specification			Speed (sec.)		Output Torque kgf/cm		
	110VAC	220VAC	24VDC	AC	DC	110VAC	220VAC	24VDC
25W	0.8A	0.6A	-	1	-	294	350	-
				8				
30W	-		0.5A	-	1	-		500
				8				1500
40W	0.9A	0.6A	-	1	-	369	405	-
60W	1.2A	0.7A	-	1	-	445	460	-

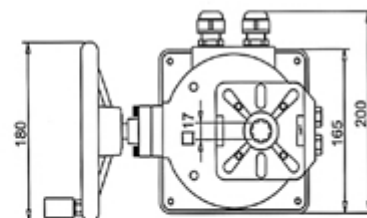
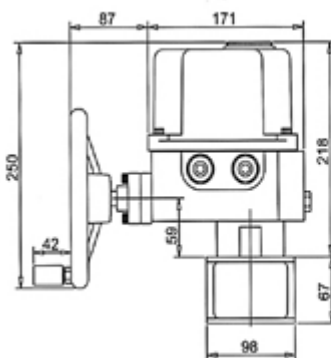
The Size Of Valve					
Speed (Sec.)	Screwed Ends	Flanged Ends	True Union Ball Valve	Butterfly Valve	3-Way Valve
1	1.1/4" ~ 2"	1.1/4" ~ 2"	1.1/2" ~ 2"	2" ~ 2.1/2"	1.1/4" ~ 2"
8	1.1/4" ~ 3"	1.1/4" ~ 3"	1.1/4" ~ 3"	2" ~ 4"	1.1/4" ~ 2.1/2"

Actuator with Kits  
Weight: 5 kgs

• Action interval: 5 minutes per travel.

**ELECTRIC ACTUATOR**

**UM-3-1 Series with Mounting Kits**



ISO 5211 F07/F10

Power	Specification			Speed (sec.)		Output Torque kgf/cm		
	110VAC	220VAC	24VDC	AC	DC	110VAC	220VAC	24VDC
25W	-	0.6A	-	1	-	294	350	-
				8				
30W	-		0.5A	-	1	-		500
				8				1500
40W	0.9A	0.6A	-	1	-	369	405	-
60W	1.2A	0.7A	-	1	-	445	460	-

The Size Of Valve					
Speed (Sec.)	Screwed Ends	Flanged Ends	True Union Ball Valve	Butterfly Valve	3-Way Valve
1	1.1/4" ~ 2"	1.1/4" ~ 2"	1.1/4" ~ 2"	2" ~ 2.1/2"	1.1/4" ~ 2"
8	1.1/4" ~ 3"	1.1/4" ~ 3"	1.1/4" ~ 3"	2" ~ 4"	2" ~ 2.1/2"

Actuator with Kits  
Weight: 8.5 kgs

• Action interval: 5 minutes per travel.